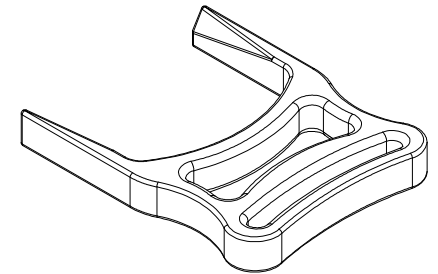
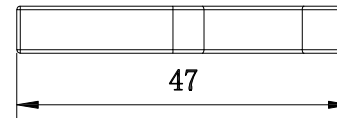
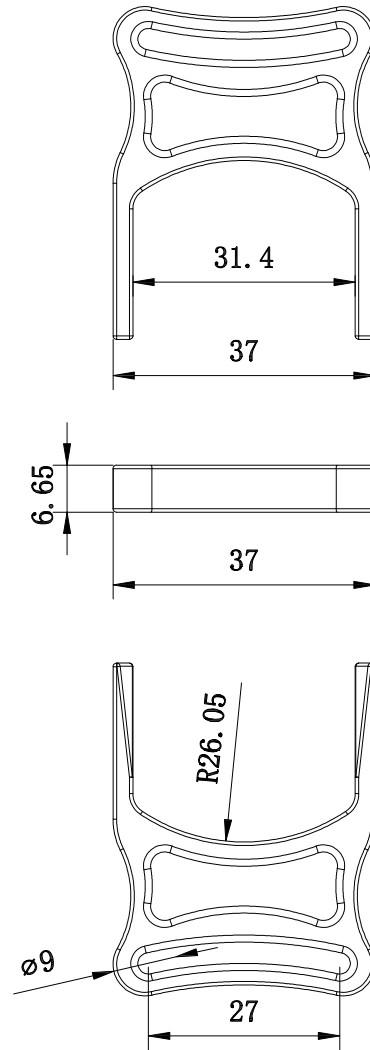




CHANGE NO.	CHANGE CONTENTS	REV.	NAME/DATE



Notes:

1. Part Number: PPO
2. Undimensioned Features Are Derived From 3D Database
3. Molded Part Must Meet Rohs
4. Use Blank Cartons For Packaging

TOLERANCES UNLESS OTHERWISE SPECIFIED		MATERIAL		 <b>APsystems</b> ALTENERGY POWER
> 0.5~3 :	±0.15	PPE		
> 3~6 :	±0.2			NAME
> 6~30 :	±0.5			Y Bus Cable Unlock Tool
> 30~120 :	±0.8			DRAWING NO.
> 120~315 :	±1.2			--
ANGLES :	±1°			
DWN.	FANTING 2018-03-16	UNIT	mm	
CHK.	TIANXING 2018-03-16	SHEET	-- OF --	REV. 0.0